

NuCORE

NuCORE is the clear choice for value and performance in heat transfer products. Eaton Thermal offers this least-cost approach by replacing the core matrix (the part that cools) while retaining the original components. The result is a fully reliable “like-new” product at a fraction of the cost of new replacement.



Exploded View E170 Heat Exchanger

Nu-CORE units features an entirely new vacuum-brazed core matrix, free from welding, brazing or epoxy that characterizes “repaired” cores. Nu-CORE delivers a “like-new” component that brings you additional confidence and longer reliability you can expect from a new part.

The various Eaton Thermal Products repair programs create a reliable, cost effective and quality repair for air carriers, operators and aircraft owners worldwide. The Repair Specification(s) afford the customer the opportunity to reduce maintenance cost while improving MTBF.

- **Near 100% yield on all repair orders (Reduced BER / SCRAP)**
- **Design improvements providing extended reliability**
- **Zero timed, Like New unit**
- **Fixed Flat Rate Price Schedules (guaranteed best value in the industry)**

NuCore units are fitted on most commercial aircraft: Airbus, ATR, Boeing, Bombardier, Embraer, Fokker, etc

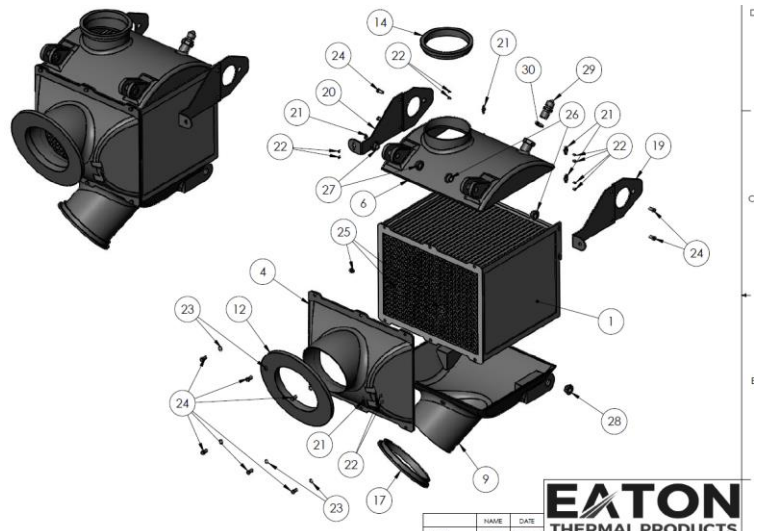
ENGINEERING & TECHNOLOGIES

Eaton Thermal’s engineering team develops innovative solutions; providing a variety of design, analysis and structural test engineering services, product development, R&D, qualification, certification for military and commercial customers. Eaton Thermal Products offers a wide variety of DER repairs designed to reduce cost and improve reliability. Eaton Thermal continues to create advancements/specialized repair techniques and solutions to complex manufacturing challenges. Offering our customers, a cost-effective alternative to new-part replacement remains the core objective of our business!

Eaton Thermal Products, differentiates itself through consistent Research & Development efforts creating innovative solutions to engineering design & manufacturing challenges.

Customers are Offered:

- Improved product reliability
- Innovative manufacturing & repair solutions
- Reduce operator maintenance cost
- Reduce acquisition cost
- Reduced MTBF (mean time before failure)
- +200 DER Specialized Repair Programs
- Rapid Turn-Around-Time (TAT)
- Fixed Flat Rate Price Schedules
- 24/7 AOG
- Customer first philosophy



Capabilities:

- 3D Scanning
- Material Analysis
- Tool Design
- Repair Development
- Automation
- Build-to-Spec
- Thermal Management
- RS/DER

